

General Comments

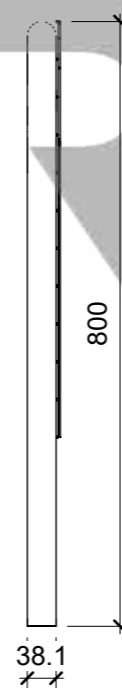
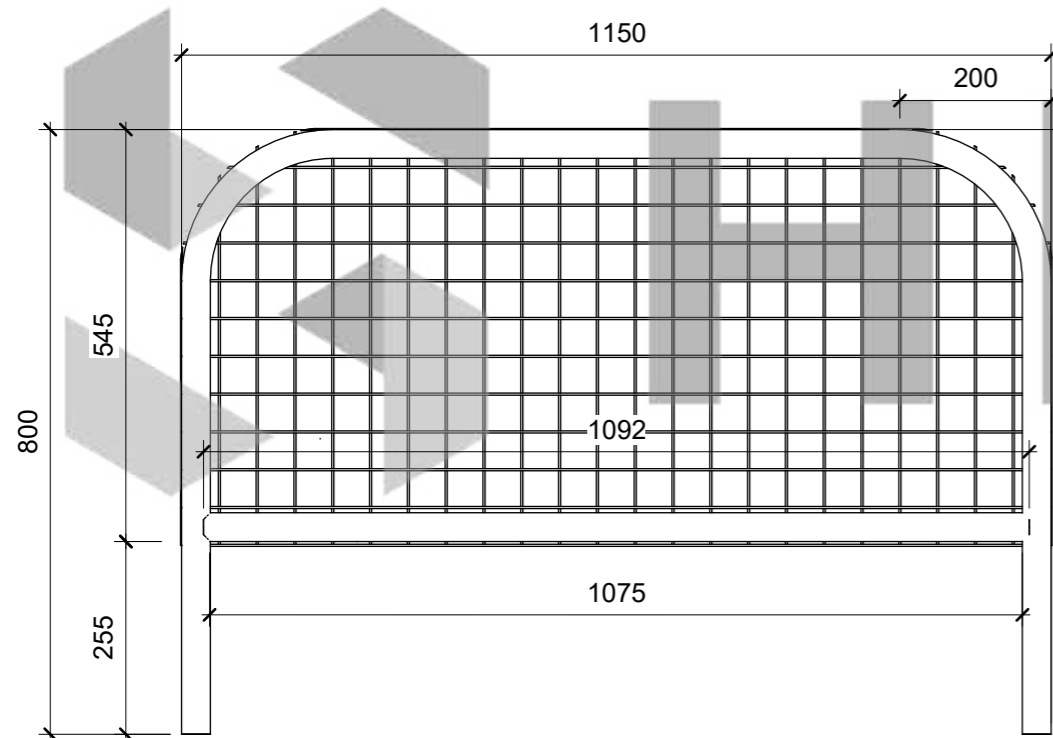
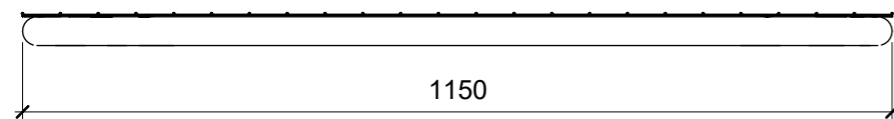
See Our Associated Products:

- [EVO 80 Barrier](#)
- [EVO 1 Barrier](#)
- [EVO 1.5 Barrier](#)
- [GB2 Barrier](#)
- [RB2000 Barrier](#)
- [RB22 Barrier](#)

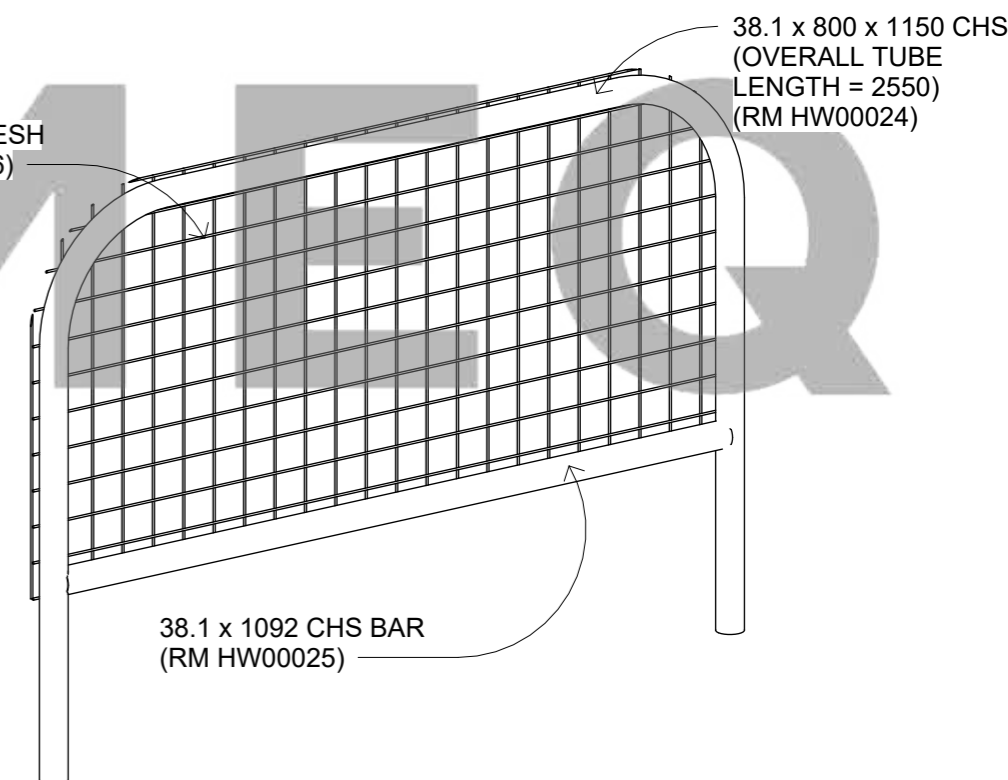
Can be Powder Coated
RAL 9016 White upon request

Materials

Pre-Galvanised Steel



1150 x 550 MESH
(RM HW00026)



Email: sales@hermeq.com Phone: 0121 725 2338

No.	Description	Date
A	Amendment to Descriptions & CHS BAR	18/05/23

Item	Component Description	Quantity
RM HW00024	G0.9mm - Ø38.1mm x 800mm x 1150mm CHS	1
RM HW00025	G0.9mm - Ø38.1mm x 1092mm CHS BAR	1
RM HW00026	G2.5mm - 1150mm x 550mm MESH	1

EVO 80 BARRIER - SQUARE MESH FENCE EXTENSION			
Weight	N/A	Serial Number	Revision
Date	17/05/2023	HW273883	A
Drawn by	JT		
Checked by	PM	Scale	1 : 10 @A3