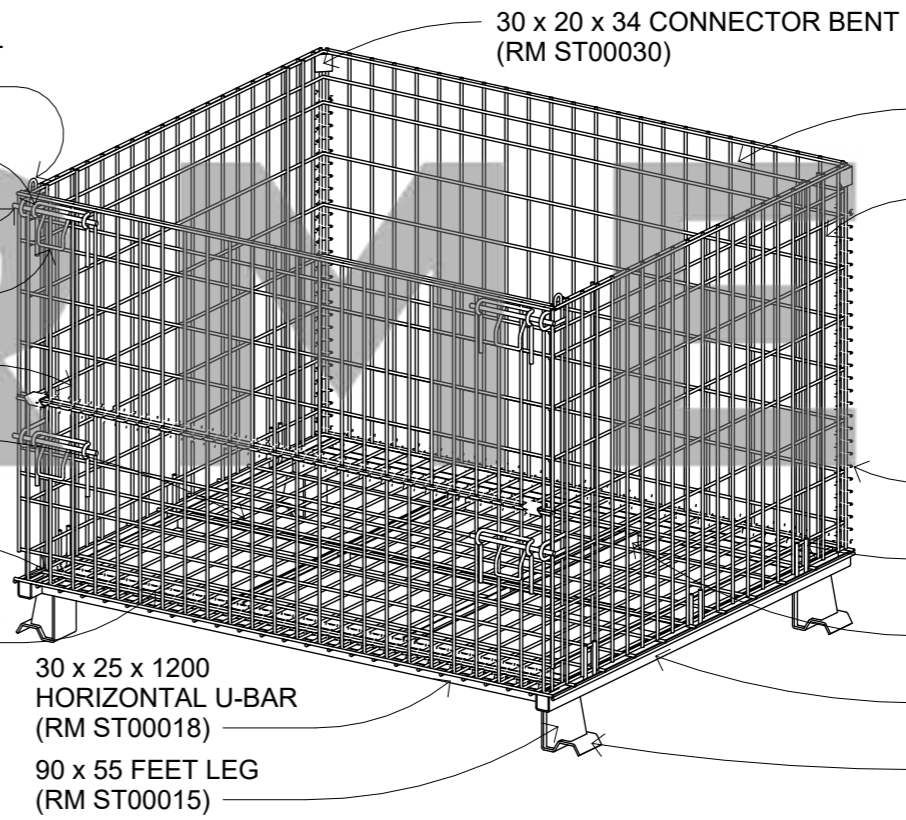


- Ø20 x 25 x 25 SAFETY BRACKET (RM ST00031)
- 120 x 105 HANDLE BRACKET (RM ST00026)
- 185 HANDLE BAR (RM ST00025)
- 60 x 75 HANDLE GRIP (RM ST00024)
- 1190 x 395 FRONT MESH TOP (RM ST00023)
- 1000 x 1200 BASE MESH (RM ST00019)
- 1190 x 365 FRONT MESH BOTTOM (RM ST00022)
- Ø30 x 1100 TWIRL CONNECTOR HORIZONTAL (RM ST00029)



30 x 20 x 34 CONNECTOR BENT (RM ST00030)

1155 x 755 BACK MESH (RM ST00020)
 975 x 755 SIDE MESH (RM ST00021)

Ø30 x 660 TWIRL CONNECTOR VERTICAL (RM ST00028)
 90 x 37.5 U CONNECTOR (RM ST00027)
 30 x 30 x 352.5 VERTICAL CROSS U-BAR (RM ST00017)
 30 x 30 x 1000 VERTICAL U-BAR (RM ST00016)
 85 x 95 FEET BASE (RM ST00014)

30 x 25 x 1200 HORIZONTAL U-BAR (RM ST00018)
 90 x 55 FEET LEG (RM ST00015)

General Comments
 See Our Associated Products:
[Telehandler Tipping Skip](#)
[Industrial Plastic Pallet Box](#)
[Post Stillages](#)

Materials
 Galvanised Steel

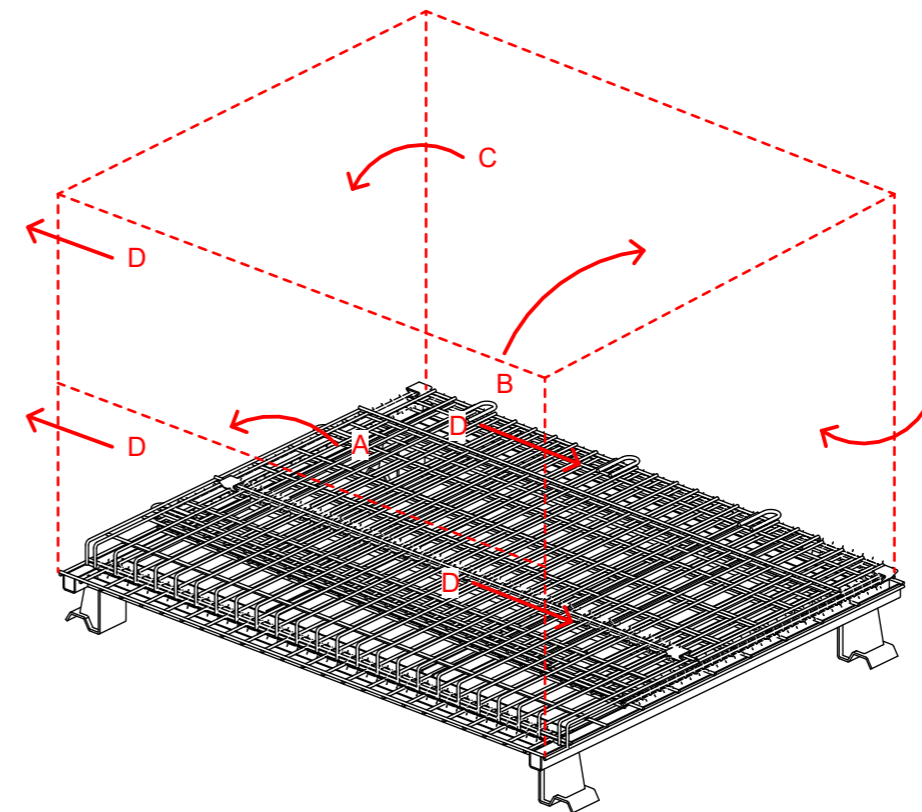
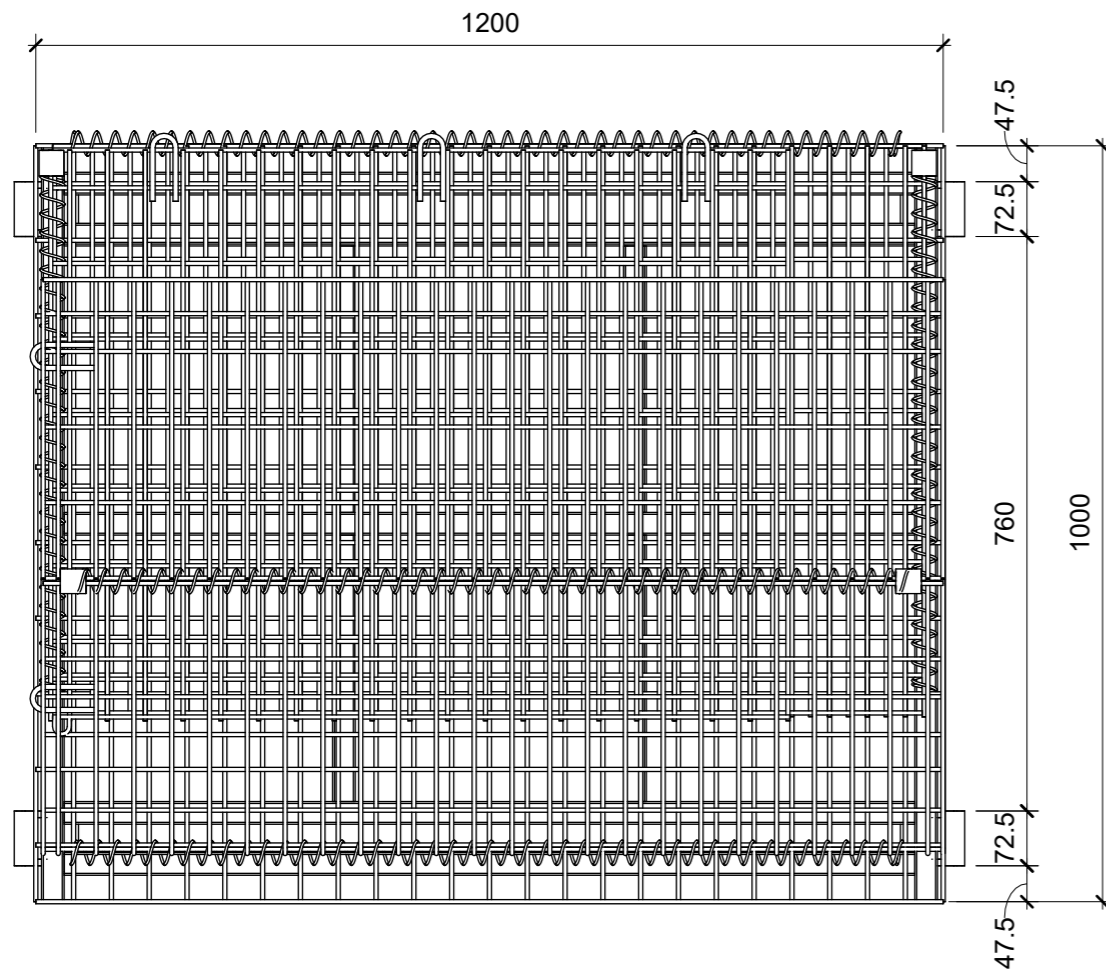
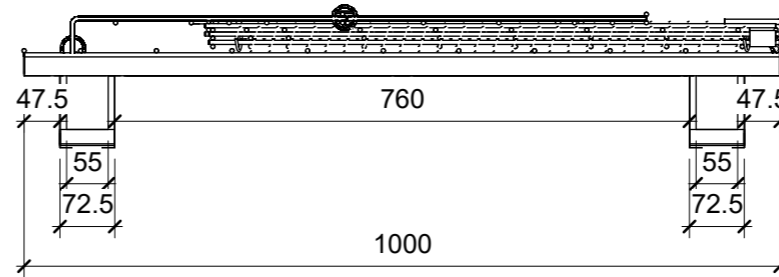
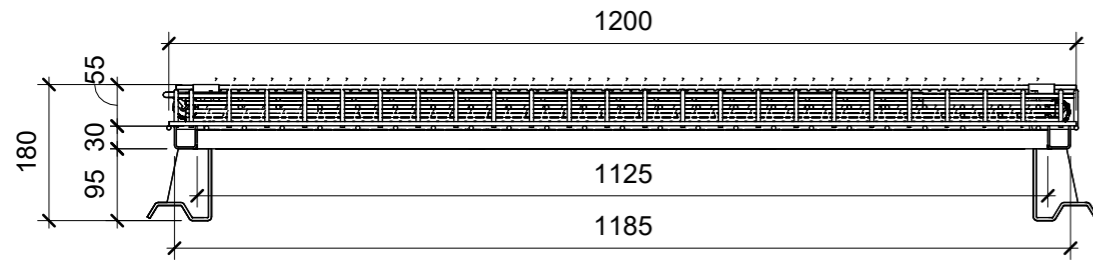


Email: sales@hermeq.com
 Phone: 0121 725 2338

| No. | Description | Date |
|-----|-------------|------|
| | | |
| | | |
| | | |
| | | |
| | | |
| | | |
| | | |
| | | |
| | | |
| | | |

| Item | Component Description | Quantity |
|-----------------------------|---|----------|
| RM ST00014 | G4mm - 85mm x 95mm FEET BASE | 4 |
| RM ST00015 | G4mm - 90mm x 55mm FEET LEG | 4 |
| RM ST00016 | G2.5mm - 30mm x 30mm x 1000mm VERT U-BAR | 2 |
| RM ST00017 | G2.5mm - 30mm x 30mm x 352.5mm CROS U-BAR | 4 |
| RM ST00018 | G2.5mm - 30mm x 25mm x 1200mm HORZ U-BAR | 3 |
| RM ST00019 | GØ5.5mm - 1000mm x 1200mm BASE MESH | 1 |
| RM ST00020 | GØ5.5mm - 1155mm x 755mm BACK MESH | 1 |
| RM ST00021 | GØ5.5mm - 975mm x 755mm SIDE MESH | 2 |
| RM ST00022 | GØ5.5mm - 1190mm x 365mm FRONT MESH B | 1 |
| RM ST00023 | GØ5.5mm - 1190mm x 395mm FRONT MESH T | 1 |
| LIST CONTINUED ON NEXT PAGE | | |

| STACKABLE PALLET CAGE - FOLDABLE WIRE MESH | | | |
|--|------------|---------------|------------|
| Weight | N/A | Serial Number | Revision |
| Date | 22/05/2023 | ST4136 | |
| Drawn by | JT | | |
| Checked by | Checker | Scale | 1 : 10 @A3 |



General Comments

See Our Associated Products:
[Telehandler Tipping Skip](#)
[Industrial Plastic Pallet Box](#)
[Post Stillages](#)

Materials

Galvanised Steel

ASSEMBLY ORDER:

- A - FRONT BOTTOM & TOP MESH FOLD VERTICALLY UPWARDS
- B - BACK & SIDE MESH FOLD VERTICALLY UPWARDS
- C - SIDE MESH SWINGS ROUND AND SITS IN VERTICAL U-BAR GROOVE
- D - HANDLE SECURES FRONT MESH TO SIDE MESH



Email: sales@hermeq.com

Phone: 0121 725 2338

| No. | Description | Date |
|-----|-------------|------|
| | | |
| | | |
| | | |
| | | |
| | | |
| | | |
| | | |
| | | |
| | | |
| | | |

| Item | Component Description | Quantity |
|------------|---|----------|
| RM ST00024 | GØ6.2mm - 60mm x 75mm HANDLE GRIP | 4 |
| RM ST00025 | GØ8.6mm - 185mm HANDLE BAR | 4 |
| RM ST00026 | GØ7mm - 120mm x 105mm HANDLE BRACKET | 4 |
| RM ST00027 | GØ7mm - 90mm x 37.5mm U CONNECTOR | 10 |
| RM ST00028 | GØ3.3mm - Ø30mm x 660mm VERT TWIRL CON | 2 |
| RM ST00029 | GØ3.3mm - Ø30mm x 1100mm HORZ TWIRL CON | 3 |
| RM ST00030 | G2.5mm - 30mm x 20mm x 34mm BENT CONNEC | 4 |
| RM ST00031 | G5.5mm - Ø20mm x 25mm x 25mm S BRACKET | 2 |
| | | |
| | | |
| | | |
| | | |

STACKABLE PALLET CAGE - FOLDABLE WIRE MESH - FOLDED

| | | | |
|------------|------------|----------------------|------------|
| Weight | N/A | Serial Number | Revision |
| Date | 22/05/2023 | ST4136 FOLDED | |
| Drawn by | JT | | |
| Checked by | Checker | Scale | 1 : 10 @A3 |