

**General Comments**

See Our Associated Products:

[Road Narrows Left Q-Sign](#)

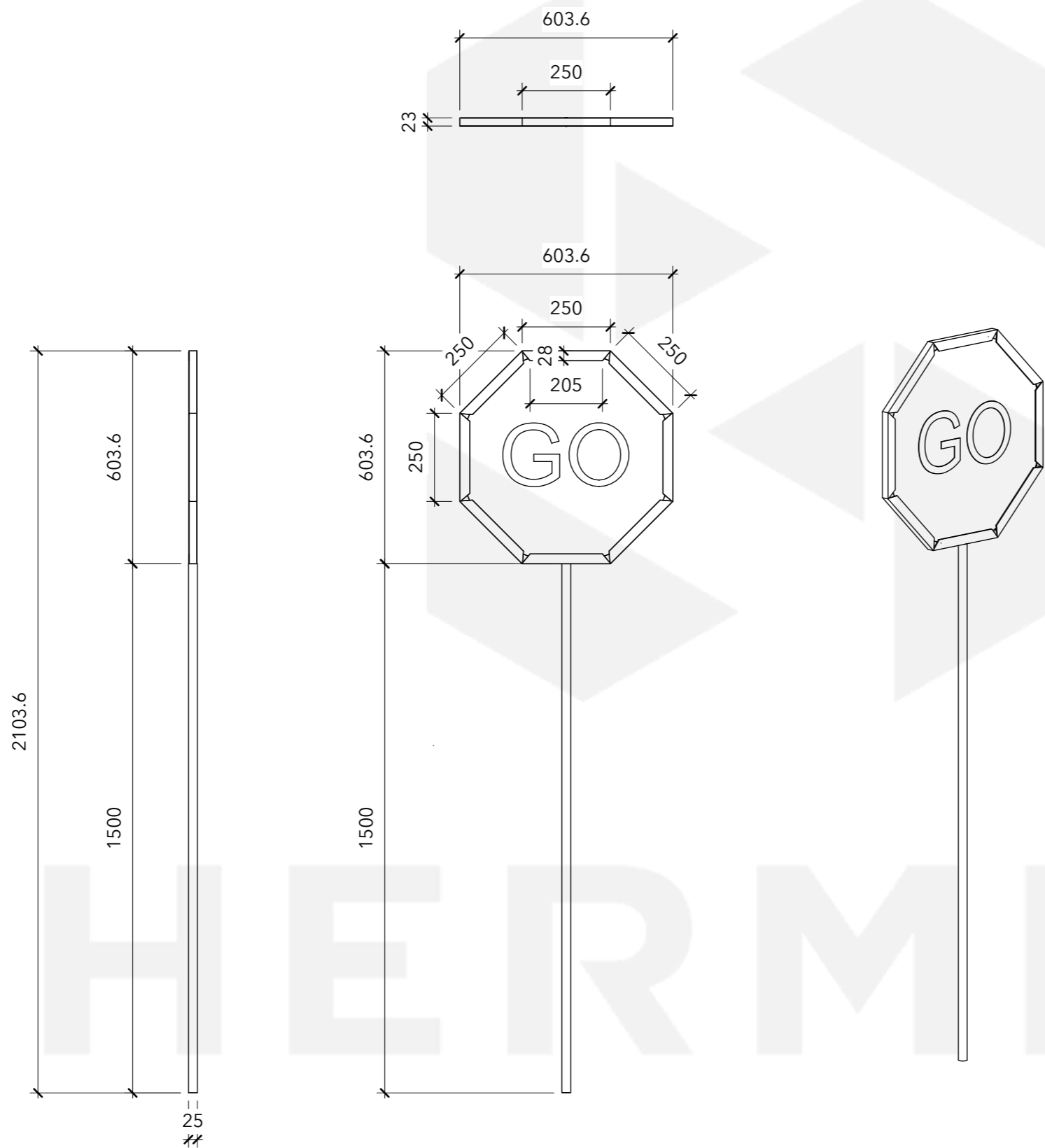
[Road Narrows Right Q-Sign](#)

[Keep Left Q-Sign](#)

[Keep Right Q-Sign](#)

**Materials**

Mild Steel



HERMEQ®



No.	Description	Date

Item	Component Description	Quantity
RM RS00001	G3MM - 603.6MM x 603.6MM x 23MM SIGN FRAME	1
RM RS00002	G1.5MM - Ø25MM x 1500MM CHS	1
RM RS00003	G1MM - Ø600MM SIGN	1

STOP-GO COMPLETE WITH POLE - (600MM)			
Weight	N/A	Serial Number	Revision
Date	12/03/2024	RS3756	
Drawn by	JT		
Checked by	GM	Scale	1 : 15 @A3